

LED Automotive Light Series Technical Data Sheet

Model No.: L-ALXXDA12R-1



Features:

- ◇ High intensity.
- ◇ Low power consumption.
- ◇ Long life.
- ◇ Voltages available: 12V DC.
- ◇ Available for all color.
- ◇ Easy-equipped.

Description:

It is has high intensity by using High brightness LED. The colors of lighting can be white, warm white, red, yellow, blue, green and other colors.

Application:

- ◇ Entertainment Lighting.
- ◇ Architectural lighting.
- ◇ City Beautification.
- ◇ Landscape lighting.
- ◇ Furniture decoration.
- ◇ Other light sources.

Device Selection Guide:

| Part No. | Color | Q'ty of LEDs (pcs) | Color Temp / Wavelength Typ (kelvin/nm) | Total Lumens Typ (lm) |
|---------------|------------|--------------------|---|-----------------------|
| L-ALW6DA12R-1 | Warm White | 12 | 3000K | 18.4 |
| L-ALWDA12R-1 | White | 12 | 8000K | 22.1 |
| L-ALBDA12R-1 | Blue | 12 | 470nm | 3.6 |
| L-ALGDA12R-1 | Green | 12 | 525nm | 20.8 |
| L-ALYDA12R-1 | Yellow | 12 | 590nm | 11.2 |
| L-ALRDA12R-1 | Red | 12 | 625nm | 7.4 |

Absolute Maximum Ratings (Ta = 25°C)

| Items | Symbol | Rating | Units |
|-----------------------|--------|------------|-------|
| Operating Voltage | Viac | DC13 | V |
| Operating frequency | Freo | --- | Hz |
| Power Dissipation | Pa | 1 | W |
| Operating Temperature | Tope | -30 - +50 | °C |
| Storage Temperature | Tsto | -40 - + 80 | °C |

Typical Performance (Ta = 25°C):

| Items | Symbol | Min | Typ. | Max. | Units |
|---|--------|-----|-------|------|-------|
| Input Voltage | V | 11 | 12 | 13 | V |
| Beam Pattern | BP | --- | 180 | --- | Deg |
| Total Length | Lmod. | --- | 42.5 | --- | mm |
| Net Weight | Wei. | --- | 8.8 | --- | g |
| Estimated Life [1] | Life | --- | 50000 | --- | hour |
| Optimized Thermal Management (Body Temperature) | / | --- | --- | 45 | °C |

Notes:

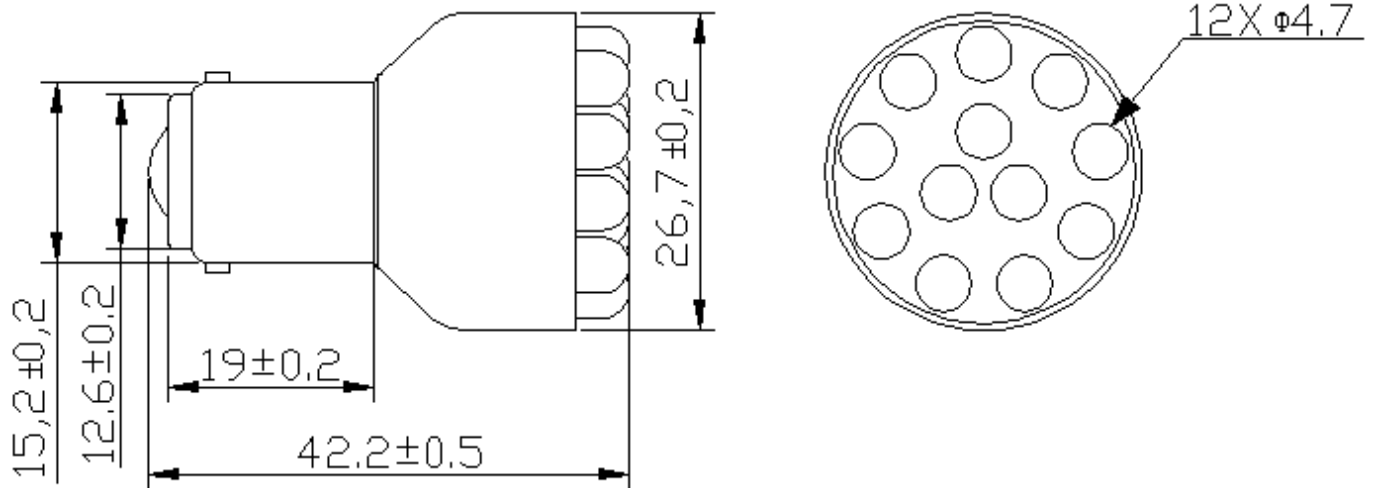
- [1] The **BA15D Base** Automotive Light can work 4-8 hours per day, and the lifetime can reach 50,000 hours, even longer. All the parameters are tested by Lucky Light's equipment.
- Rank ratings will be determined by Lucky Light, if you have any request or queries for Lucky Light products, please directly contact salesman.
- The brightness and forward voltage can be designed according to customer specifications.
- Specifications are subject to change without notice.

Product picture:



Product Dimensions:

Notes:



1. All dimensions unit in mm.
2. The tolerance is +/- 0.2mm unless otherwise noted.