

Ceiling Light High power Series Technical Data Sheet

Model No.: L-CLHXXAH3W3R



Features:

- ◇ High intensity.
- ◇ Low power consumption.
- ◇ Long life.
- ◇ Low voltage operation at 100~240V AC.
- ◇ Available for all color.
- ◇ Easy-equipped.

Description:

This ceiling light is made of three of 3W high power led, with higher lumens than the other ceiling lights. Its crust is Aluminum alloy , which has great heat sink function. The emitting colors can be white, warm white, red, yellow, blue, green and other colors.

Application:

- ◇ Entertainment Lighting.
- ◇ Architectural lighting.
- ◇ City Beautification.
- ◇ Landscape lighting.
- ◇ Furniture decoration.
- ◇ Other light sources.

Device Selection Guide:

Part No. Color	Color	Q'ty of LEDs (pcs)	Color Temp/Wavelength Typ (kelvin/nm)	Luminous Flux (lm)
L-CLHW6AH3W3R	Warm White	3	3000K	220
L-CLHWAH3W3R	Cool White	3	6000K	254

Absolute Maximum Ratings (Ta = 25°C)

Items	Symbol	Rating	Units
Operating Voltage	Viac	AC 240	V
Operating frequency	Freo	50-60	Hz
Power Dissipation	Pa	10	W
Operating Temperature	Tope	-30 - +50	°C
Storage Temperature	Tsto	-40 - + 80	°C

Typical Performance (Ta = 25°C):

Items	Symbol	Min	Typ.	Max.	Units
Input Voltage	Vi	100	220	240	V
Beam Pattern	BP	---	60	---	Deg
Total Length	Lmod.	---	69.5	---	mm
Net Weight	Wei.	---	264.48	---	g
Estimated Life [1]	Life	---	50000	---	hour
Optimized Thermal Management (Body Temperature)	/	---	---	60	°C

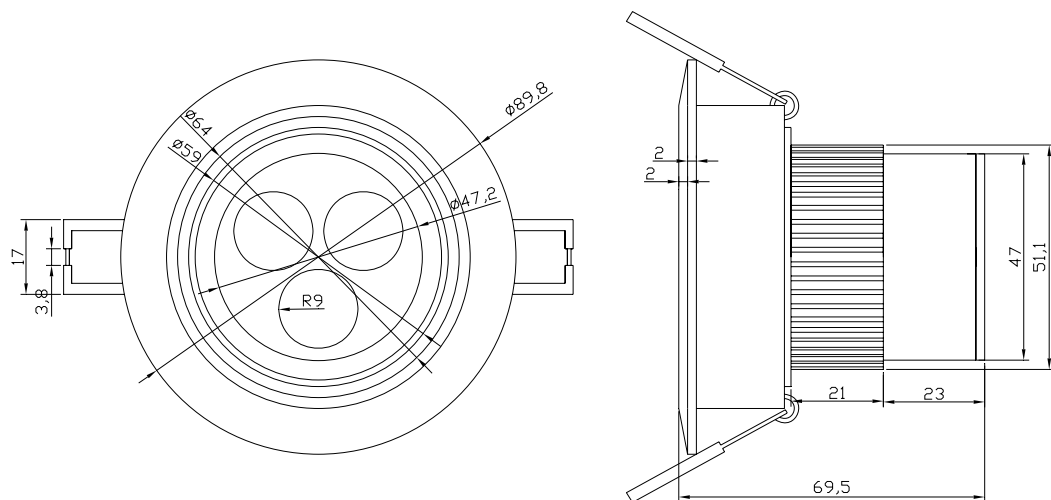
Notes:

- [1]** The ceiling light can work 4-8 hours per day, and the lifetime can reach 50,000 hours, even longer. All the parameters are tested by Lucky Light's equipment.
- Rank rations will be determined by Lucky Light, if you have any request or queries for Lucky Light products, please directly contact salesman.
- The brightness and forward voltage can be designed according to customer specifications.
- Specifications are subject to change without notice.

Product picture:



Product Dimensions:



Notes:

1. All dimensions unit in mm.
2. The tolerance is +/- 1mm unless otherwise noted.

Spec No.: L-CL-01

Rev No.: V.2

Date: Feb/10/2009

Page: 4 OF 4

Approved: Bob

Checked: Shuijin Zhou

Drawn: Longxiang Hu