

Φ 50mm E27 Spotlight Series
Technical Data Sheet

Model No.: L-JDRE27XXAD48R



Features:

- ◇ High intensity.
- ◇ Low power consumption.
- ◇ Long life.
- ◇ Operation voltage : 200V-240V AC.
- ◇ Available for all color.
- ◇ Easy-equipped.

Description:

It has high luminant efficiency by using super bright LED. The colors of lighting can be white, warm white, red, yellow, blue, green,full color and other colors.

Application:

- ◇ Entertainment Lighting.
- ◇ Architectural lighting.
- ◇ City Beautification.
- ◇ Landscape lighting.
- ◇ Furniture decoration.
- ◇ Other light sources.

Device Selection Guide:

| Part No. | Color | Q'ty of LEDs (pcs) | Color Temp/Wavelength Typ (kelvin/nm) | Luminous Flux (lm) |
|-----------------|------------|--------------------|---------------------------------------|--------------------|
| L-JDRE27W6AD48R | Warm White | 48 | 3000K | 82. 4 |
| L-JDRE27WAD48R | Cool White | 48 | 8000K | 115 |
| L-JDRE27BAD48R | Blue | 48 | 470nm | 13. 6 |
| L-JDRE27GAD48R | Green | 48 | 525nm | 57. 2 |
| L-JDRE27YAD48R | Yellow | 48 | 590nm | 16. 8 |
| L-JDRE27RAD48R | Red | 48 | 624nm | 18. 4 |

Spec No.: L-JDRE27-01 Rev No.: V.2 Date: Feb/20/2009 Page:2 OF 4

Approved: Bob Checked: Shuijin Zhou Drawn: Longxiang Hu

Absolute Maximum Ratings (Ta = 25°C)

| Items | Symbol | Rating | Units |
|-----------------------|--------|------------|-------|
| Operating Voltage | Viac | AC 240 | V |
| Operating frequency | Freo | 50-60 | Hz |
| Power Dissipation | Pa | 2.88 | W |
| Operating Temperature | Tope | -30 - +50 | °C |
| Storage Temperature | Tsto | -40 - + 80 | °C |

Typical Performance (Ta = 25°C):

| Items | Symbol | Min | Typ. | Max. | Units |
|--|--------|-----|-------|------|-------|
| Input Voltage | Vi | 200 | 220 | 240 | V |
| Beam Pattern | BP | --- | 100 | --- | Deg |
| Total Length | Lmod. | --- | 74 | --- | mm |
| Net Weight | Wei. | --- | 69 | --- | g |
| Estimated Life [1] | Life | --- | 50000 | --- | hour |
| Optimized Thermal Management (Body Temperature) | / | --- | --- | 45 | °C |

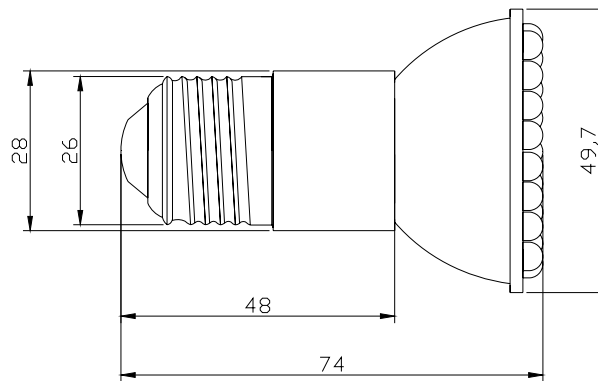
Notes:

- [1]** The JDRE27 LED lamp can work 4-8 hours per day, and the lifetime can reach 50,000 hours, even longer. All the parameters are tested by Lucky Light's equipment.
- Rank rations will be determined by Lucky Light, if you have any request or queries for Lucky Light products, please directly contact salesman.
- The brightness and forward voltage can be designed according to customer specifications.
- Specifications are subject to change without notice.

Product picture:



Product Dimensions:



Notes:

1. All dimensions unit in mm.
2. The tolerance is +/- 0.2mm unless otherwise noted.