

**Φ 50mm GU10 High Power Series
Technical Data Sheet**

Model No.: L-GU10HXXAH1W1R



Features:

- ◇ High intensity.
- ◇ Low power consumption.
- ◇ Long life.
- ◇ Operation voltage:200V-240V AC .
- ◇ Available for all color.
- ◇ Easy-equipped.

Description:

This GU10 base LED light is made of one of 1W high power led, with higher lumens than the other GU10 spot lights. Its crust is Aluminum alloy , which has great heat sink function. The emitting colors can be white, warm white, red, yellow, blue, green and other colors.

Application:

- ◇ Entertainment Lighting.
- ◇ Architectural lighting.
- ◇ City Beautification.
- ◇ Landscape lighting.
- ◇ Furniture decoration.
- ◇ Portable lighting.
- ◇ Other light sources.

Device Selection Guide:

Part No.	Color	Q'ty of LEDs (pcs)	Color Temp/Wavelength Typ (kelvin/nm)	Luminous Flux (lm)
L-GU10HW6AH1W1R	Warm White	1	3000K	48
L-GU10HWAH1W1R	White	1	6000K	56
L-GU10HBAH1W1R	Blue	1	470nm	8
L-GU10HGAH1W1R	Green	1	525nm	45
L-GU10HYAH1W1R	Yellow	1	590nm	25
L-GU10HRAH1W1R	Red	1	624nm	26

Spec No.: L-GU10H-01 Rev No.: V.2 Date: Feb/20/2009 Page: 2 OF 4

Approved: Bob Checked: Shuijin Zhou Drawn: Longxiang Hu

Absolute Maximum Ratings (Ta = 25°C)

Items	Symbol	Rating	Units
Operating Voltage	Viac	AC 240	V
Operating frequency	Freo	50-60	Hz
Power Dissipation	Pa	1.5	W
Operating Temperature	Tope	-30 - +50	°C
Storage Temperature	Tsto	-40 - + 80	°C

Typical Performance (Ta = 25°C):

Items	Symbol	Min	Typ.	Max.	Units
Input Voltage	Vi	100	220	240	V
Beam Pattern	BP	---	25	---	Deg
Total Length	Lmod.	---	50.5	---	mm
Net Weight	Wei.	---	45.0	---	g
Estimated Life [1]	Life	---	50000	---	hour
Optimized Thermal Management (Body Temperature)	/	---	---	45	°C

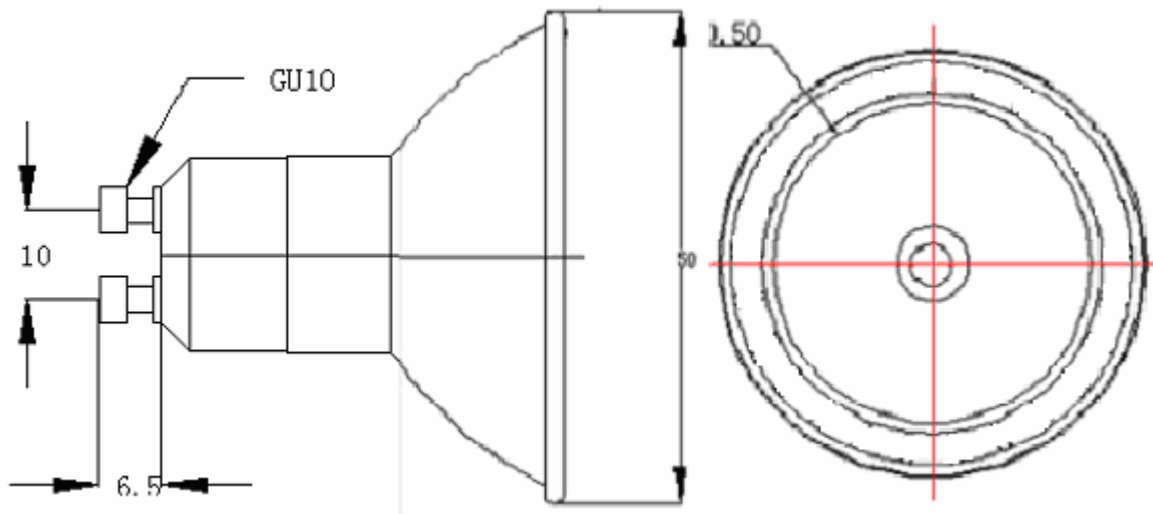
Notes:

- [1]** The GU10 LED lamp can work 4-8 hours per day, and the lifetime can reach 50,000 hours, even longer. All the parameters are tested by Lucky Light's equipment.
- Rank ratings will be determined by Lucky Light, if you have any request or queries for Lucky Light products, please directly contact salesman.
- The brightness and forward voltage can be designed according to customer specifications.
- Specifications are subject to change without notice

Product picture:



Product Dimensions:



Notes:

1. All dimensions unit in mm.
2. The tolerance is ± 0.2 mm unless otherwise noted.