

LED Underground Light Series
Technical Data Sheet

Model No.: L-UGXXAA24R



Features

- ◇ High Intensity
- ◇ Low Power Consumption.
- ◇ long Operating life
- ◇ Voltages Available AC12V
- ◇ high penetrability
- ◇ environment friendly.

Description

- ◇ Light source: High efficient LED
- ◇ Lights body: aluminum alloy
- ◇ Electrical connections: unleaded connecting
- ◇ Fastening Part: Stainless steel. 316# or304#
- ◇ The colors of lighting can be white, warm white, red, yellow, blue, green and 7-color. 7-color lamp can change gradually or jump over.

Application

- ◇ Pedestrian Street
- ◇ Park
- ◇ Pool
- ◇ Square
- ◇ Residential areas.

Device Selection Guide

Part No.	Color	Color Temp / Wavelength Typ (kelvin/nm)	Hole Dimension (MM)
L-UGW6AA24R	Warm White	3000k	φ 195
L-UGWAA24R	Cool White	8000k	
L-UGRAA24R	Red	624nm	
L-UGGAA24R	Green	525nm	
L-UGBAA24R	Blue	470nm	
L-UGYAA24R	Yellow	590nm	
L-UGRGBAA24R	Red	624nm	
	Green	525nm	
	Blue	470nm	

Spec No: L-UG-04 Rev No. V.2 Date: Feb./20/2009 Page: 2 OF 4

Approved: Bob Checked: Shuijin Zhou Drawn: Longxiang Hu

Absolute Maximum Ratings (Ta =25°C)

Items	Symbol	Rating	Units
Operating Voltage	Viac	AC 12	V
Input Current	li	<AC120	mA
Operating frequency	Freo	60	Hz
Safety Rank	IP	IP-68	---
Operating Temperature	Tope	-30 - +50	°C
Storage Temperature	Tsto	-40 - + 80	°C

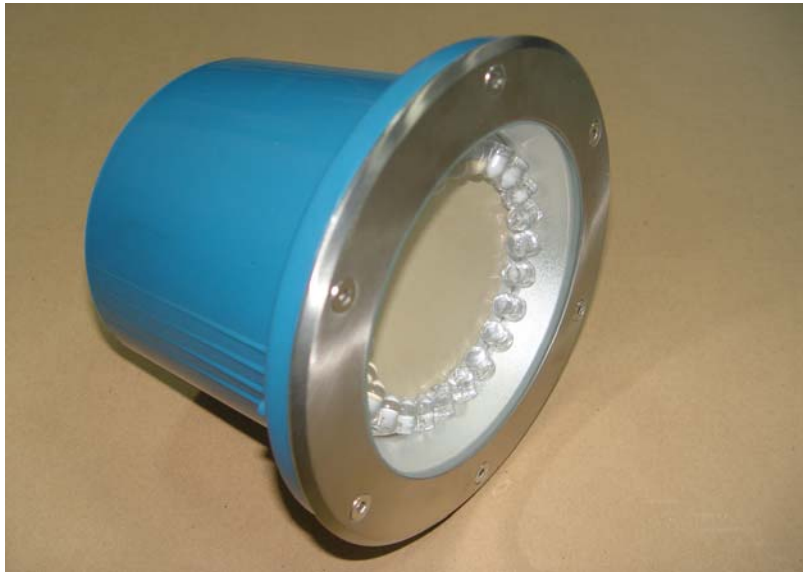
Typical Performance (Ta =25°C)

Items	Symbol	Min	Typ.	Max.	Units
Input Voltage	Vi	10	12	14	V
Input Current	If	---	---	120	mA
Power Dissipation	Pa	---	1.4	1.7	W
Estimated Life [1]	Life	50000	---	---	hour
Optimized Thermal Management (Body Temperature)	/	---	---	60	°C

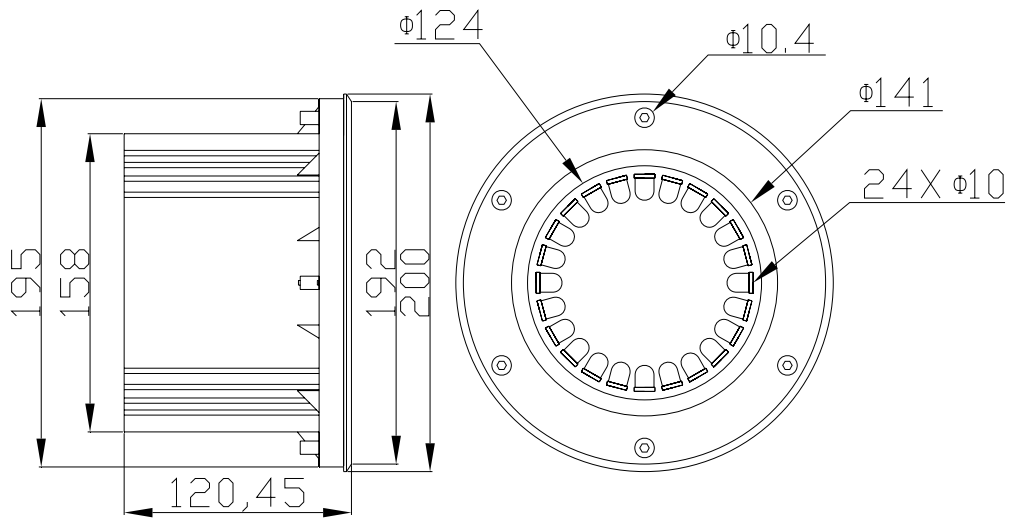
Notes:

- [1] The underground led lamp can work 4-8 hours per day, and the lifetime can reach 50,000 hours, even longer. All the parameters are tested by Lucky Light's equipment.
- Rank rations will be determined by Lucky Light , if you have any request or queries for Lucky Light products , please directly contact salesman .
- The brightness and forward voltage can be designed according to customer specifications.
- Specifications are subject to change without notice

Product picture:



Product Dimension



Notes:

1. All dimensions unit in mm .
2. The tolerance is +/- 1mm unless otherwise noted.