

Φ 50mm E27 High Power Series  
Technical Data Sheet

Model No. : L-JDRE27HXXAH1W1R-1



## Features:

- ◇ High intensity.
- ◇ Low power consumption.
- ◇ Long life.
- ◇ Operation voltage: 100-240V AC.
- ◇ Available for all color.
- ◇ Easy-equipped.

## Description:

This E27 base LED light is made of one of 1W high power led, with higher lumens than the other E27 spot lights. Its crust is Aluminum alloy , which has great heat sink function. The emitting colors can be white, warm white, red, yellow, blue, green and other colors

## Application:

- ◇ Entertainment Lighting.
- ◇ Architectural lighting.
- ◇ City Beautification.
- ◇ Landscape lighting.
- ◇ Furniture decoration.
- ◇ Portable lighting.
- ◇ Other light sources.

## Device Selection Guide:

Part No.	Color	Q'ty of LEDs (pcs)	Color Temp/Wavelength Typ (kelvin/nm)	Luminous Flux (lm)
L-JDRE27HW6AH1W1R-1	Warm White	1	3000K	41
L-JDRE27HWAH1W1R-1	White	1	6000K	50
L-JDRE27HBAH1W1R-1	Blue	1	470nm	9
L-JDRE27HGAH1W1R-1	Green	1	525nm	37
L-JDRE27HYAH1W1R-1	Yellow	1	590nm	25
L-JDRE27HRAH1W1R-1	Red	1	624nm	28

**Absolute Maximum Ratings (Ta = 25°C)**

Items	Symbol	Rating	Units
Operating Voltage	Viac	AC240	V
Operating frequency	Freo	50-60	Hz
Power Dissipation	Pa	1.5	W
Operating Temperature	Tope	-30 - +50	°C
Storage Temperature	Tsto	-40 - + 80	°C

**Typical Performance (Ta = 25°C):**

Items	Symbol	Min	Typ.	Max.	Units
Input Voltage	Vi	100	220	240	V
Beam Pattern	BP	---	60	---	Deg
Total Length	Lmod.	---	75.3	---	mm
Net Weight	Wei.	---	55.79	---	g
Estimated Life <b>[1]</b>	Life	---	50000	---	hour
Optimized Thermal Management (Body Temperature)	/	---	---	45	°C

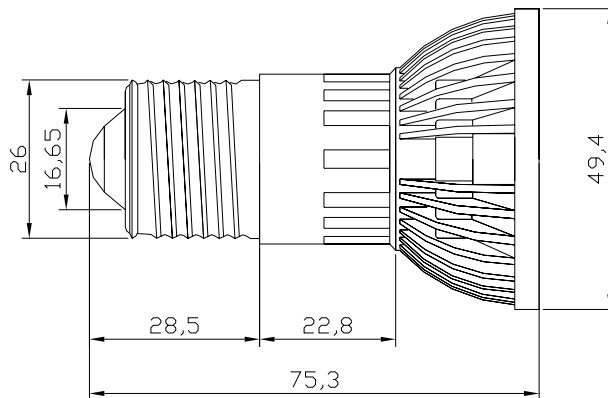
**Notes:**

- [1]** The JDRE27 LED lamp can work 4-8 hours per day, and the lifetime can reach 50,000 hours, even longer. All the parameters are tested by Lucky Light's equipment.
- Rank ratings will be determined by Lucky Light, if you have any request or queries for Lucky Light products, please directly contact salesman.
- The brightness and forward voltage can be designed according to customer specifications.
- Specifications are subject to change without notice.

Product picture:



Product Dimensions:



Notes:

1. All dimensions unit in mm.
2. The tolerance is +/- 0.2mm unless otherwise noted.