

Φ 50mm E27 High Power Series  
Technical Data Sheet

Model No. : L-JDRE27HXXAH3W1R



## Features:

- ◇ High intensity.
- ◇ Low power consumption.
- ◇ Long life.
- ◇ Operation voltage: 100-240V AC.
- ◇ Available for all color.
- ◇ Easy-equipped.

## Description:

This E27 base LED light is made of one of 3W high power led, with higher lumens than the other E27 spot lights. Its crust is Aluminum alloy , which has great heat sink function. The emitting colors can be white, warm white, red, yellow, blue, green and other colors

## Application:

- ◇ Entertainment Lighting.
- ◇ Architectural lighting.
- ◇ City Beautification.
- ◇ Landscape lighting.
- ◇ Furniture decoration.
- ◇ Portable lighting.
- ◇ Other light sources.

## Device Selection Guide:

Part No.	Color	Q'ty of LEDs (pcs)	Color Temp/Wavelength Typ (kelvin/nm)	Luminous Flux (lm)
L-JDRE27HW6AH3W1R	Warm White	1	3000K	83
L-JDRE27HWAH3W1R	White	1	6000K	95
L-JDRE27HBAH3W1R	Blue	1	470nm	16
L-JDRE27HGAH3W1R	Green	1	525nm	75
L-JDRE27HYAH3W1R	Yellow	1	590nm	40
L-JDRE27HRAH3W1R	Red	1	624nm	48

**Absolute Maximum Ratings (Ta = 25°C)**

Items	Symbol	Rating	Units
Operating Voltage	Viac	AC240	V
Operating frequency	Freo	50-60	Hz
Power Dissipation	Pa	3.5	W
Operating Temperature	Tope	-30 - +50	°C
Storage Temperature	Tsto	-40 - + 80	°C

**Typical Performance (Ta = 25°C):**

Items	Symbol	Min	Typ.	Max.	Units
Input Voltage	Vi	100	220	240	V
Beam Pattern	BP	---	15	---	Deg
Total Length	Lmod.	---	77.2	---	mm
Net Weight	Wei.	---	76.6	---	g
Estimated Life [1]	Life	---	50000	---	hour
Optimized Thermal Management (Body Temperature)	/	---	---	45	°C

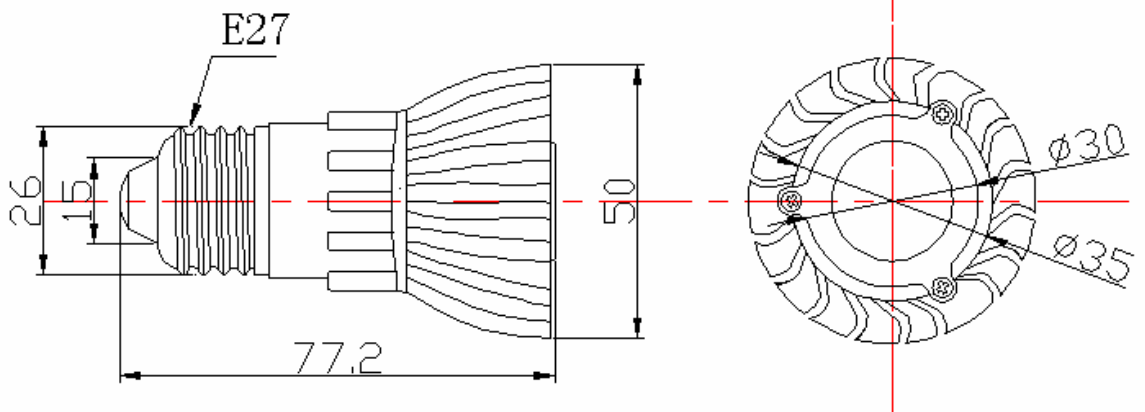
**Notes:**

- [1] The JDRE27 LED lamp can work 4-8 hours per day, and the lifetime can reach 50,000 hours, even longer. All the parameters are tested by Lucky Light's equipment.
- Rank ratings will be determined by Lucky Light, if you have any request or queries for Lucky Light products, please directly contact salesman.
- The brightness and forward voltage can be designed according to customer specifications.
- Specifications are subject to change without notice.

Product picture:



Product Dimensions:



Notes:

1. All dimensions unit in mm.
2. The tolerance is +/- 0.2mm unless otherwise noted.