

**Φ95mm GU10 High Power Series
Technical Data Sheet**

Model No.: L-GU10HXXAH1W5R



Features:

- ◇ High intensity.
- ◇ High efficiency.
- ◇ Long life.
- ◇ Operation voltage : 100-240V AC.
- ◇ Available for all colors.
- ◇ Easy-equipped.

Description:

This GU10 base LED light is made of five of 1W high power LED, with higher lumens than the other GU10 spot lights. Its crust is Aluminum alloy , which has great heat sink function. The emitting colors can be white, warm white, red, yellow, blue, green and other colors.

Application:

- ◇ Entertainment Lighting.
- ◇ Architectural lighting.
- ◇ City Beautification.
- ◇ Landscape lighting.
- ◇ Furniture decoration.
- ◇ Portable lighting.
- ◇ Other light sources.

Device Selection Guide:

Part No.	Color	Q'ty of LEDs (pcs)	Color Temp/Wavelength Typ (kelvin/nm)	Luminous Flux (lm)
L-GU10HW6AH1W5R	Warm White	5	3000K	240
L-GU10HWAH1W5R	White	5	6000K	281
L-GU10HBAH1W5R	Blue	5	470nm	42
L-GU10HGAH1W5R	Green	5	525nm	225
L-GU10HYAH1W5R	Yellow	5	590nm	108
L-GU10HRAH1W5R	Red	5	624nm	122

Absolute Maximum Ratings (Ta =25°C)

Items	Symbol	Rating	Units
Operating Voltage	Viac	AC 240	V
Operating frequency	Freo	50-60	Hz
Power Dissipation	Pa	6	W
Operating Temperature	Tope	-30 - +50	°C
Storage Temperature	Tsto	-40 - + 80	°C

Typical Performance (Ta =25°C):

Items	Symbol	Min	Typ.	Max.	Units
Input Voltage	Vi	100	220	240	V
Beam Pattern	BP	---	30	---	Deg
Total Length	Lmod.	---	80	---	mm
Net Weight	Wei.	---	266.2	---	g
Estimated Life [1]	Life	---	50000	---	hour
Optimized Thermal Management (Body Temperature)	/	---	---	45	°C

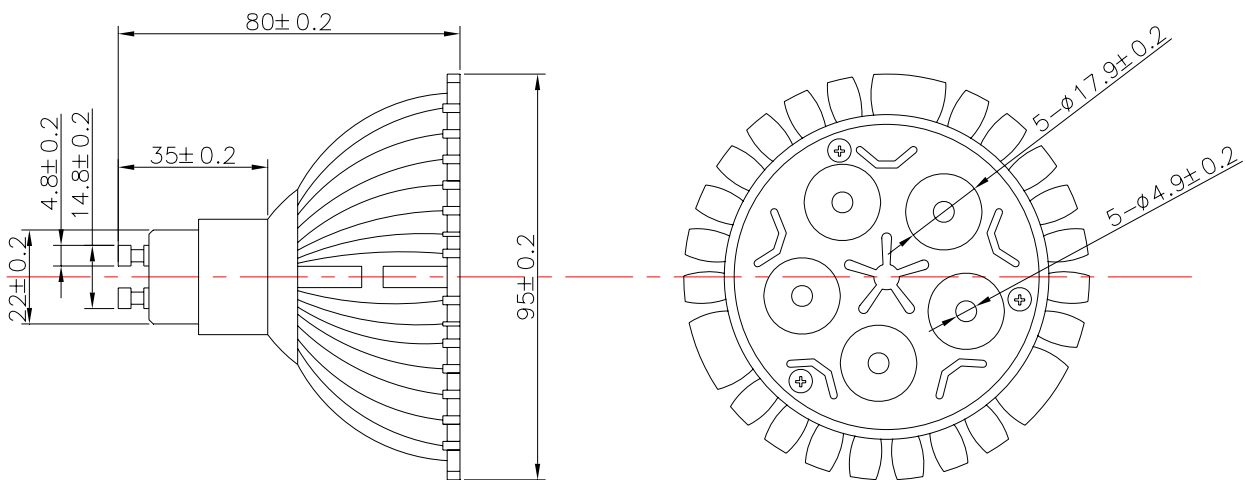
Notes:

- [1] The GU10 LED lamp can work 4-8 hours per day, and the lifetime can reach 50,000 hours, even longer. All the parameters are tested by Lucky Light's equipment.
- Rank ratings will be determined by Lucky Light, if you have any request or queries for Lucky Light products, please directly contact salesman.
- The brightness and forward voltage can be designed according to customer specifications.
- Specifications are subject to change without notice.

Product picture:



Product Dimensions:



Notes:

1. All dimensions unit in mm.
2. The tolerance is +/- 0.2mm unless otherwise noted.