

Flexible LED Light Strip
with controller Series

Model No.: L-LSXXDH120S



Features:

- ◇ High intensity.
- ◇ Low power consumption.
- ◇ Long life.
- ◇ Low voltage operation at $5 \pm 0.5V$ DC.
- ◇ Available for all color.
- ◇ Easy-equipped.
- ◇ Adhesive Available.

Description:

Using High brightness 5050 LED as luminescence source and using flexible PCB connect so that the installation become more flexible and it can be winding in every angle. 20leds in 0.5meter(40leds in 1.0 meter),each 2 leds as one series,each series can be cutted. The colors of lighting can be white,warm white,red,green,blue,yellow ,full color and other color.

Application:

- ◇ Entertainment Lighting.
- ◇ Architectural lighting.
- ◇ City Beautification.
- ◇ Landscape lighting.
- ◇ Furniture decoration.
- ◇ Portable lighting.
- ◇ Other light sources.

Device Selection Guide:

| Part No. | Color | Q'ty of LEDs (pcs) | Color Temp / Wavelength Typ (kelvin/nm) | Total Lumens Typ (lm) |
|--------------|------------|--------------------|---|-----------------------|
| L-LSW6DH120S | Warm White | 120 | 3000 | --- |
| L-LSWDH120S | Cool White | 120 | 8000 | --- |
| L-LSFDH120S | Red | 120 | 624nm | --- |
| | Green | | 525nm | |
| | Blue | | 470nm | |

Absolute Maximum Ratings (Ta = 25°C)

| Items | Symbol | Rating | Units |
|-----------------------|--------|------------|-------|
| Operating Voltage | Viac | DC 5.5 | V |
| Operating frequency | Freo | --- | Hz |
| Power Dissipation | Pa | 21 | W |
| Operating Temperature | Tope | -30 - +50 | °C |
| Storage Temperature | Tsto | -40 - + 80 | °C |

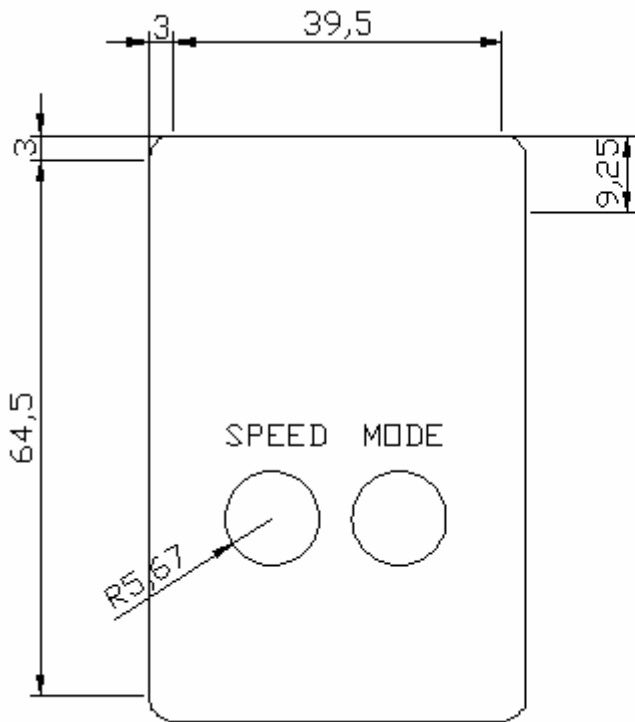
Typical Performance (Ta = 25°C):

| Items | Symbol | Min | Typ. | Max. | Units |
|--|--------|-----|-------|------|-------|
| Input Voltage | V | 4.5 | 5.0 | 5.5 | V |
| Beam Pattern | BP | --- | 120 | --- | Deg |
| Total Length | Lmod. | --- | 3000 | --- | mm |
| Net Weight | Wei. | --- | 121.0 | --- | g |
| Estimated Life [1] | Life | --- | 50000 | --- | hour |
| Optimized Thermal Management (Body Temperature) | / | --- | --- | 45 | °C |

Notes:

- [1]** The LED Light Strip can work 4-8 hours per day, and the lifetime can reach 50,000 hours, even longer. All the parameters are tested by Lucky Light's equipment..
- Rank ratings will be determined by Lucky Light, if you have any request or queries for Lucky Light products, please directly contact salesman.
- The brightness and forward voltage can be designed according to customer specifications.
- Specifications are subject to change without notice.

Controller Dimensions



Notes:

1. All dimensions unit in mm.
2. The Controller has twelve kinds of patterns and five kinds of speed. You can change it by SPEED and MODE button for your need patterns and speed.
3. The Controller also has power off memory function, that make the light bar maintains the favorite patterns and speed of you always.
4. The last pattern plays previous patterns continuously.

Packaging Specification

Max Run Length Per Reel

| Color | Maximum Length |
|------------|----------------|
| Warm White | 3 meter |
| Cool White | 3 meter |