

Φ 50mm MR16 High Power Series
Technical Data Sheet

Model No.: L-MR16HXXAA3W1R



Features:

- ◇ High intensity.
- ◇ Low power consumption.
- ◇ Long life.
- ◇ Low voltage operation at 12VAC or 12VDC.
- ◇ Available for all color.
- ◇ Easy-equipped.

Description:

This MR16 base LED light is made of one of 3W high power led, with higher lumens than the other MR16 spot lights. Its crust is Aluminum alloy , which has great heat sink function. The emitting colors can be white, warm white, red, yellow, blue, green and other colors

Application:

- ◇ Entertainment Lighting.
- ◇ Architectural lighting.
- ◇ City Beautification.
- ◇ Landscape lighting.
- ◇ Furniture decoration.
- ◇ Portable lighting.
- ◇ Other light sources.

Device Selection Guide:

Part No.	Color	Q'ty of LEDs (pcs)	Color Temp/Wavelength Typ (kelvin/nm)	Luminous Flux (lm)
L-MR16HW6AA3W1R	Warm White	1	3000K	88
L-MR16HWAA3W1R	White	1	8000K	96
L-MR16HBAA3W1R	Blue	1	470nm	18
L-MR16HGAA3W1R	Green	1	525nm	76
L-MR16HYAA3W1R	Yellow	1	590nm	48
L-MR16HRAA3W1R	Red	1	624nm	42

Absolute Maximum Ratings (Ta = 25°C)

Items	Symbol	Rating	Units
Operating Voltage	Viac	AC 13	V
Operating frequency	Freo	50-60	Hz
Power Dissipation	Pa	3.2	W
Operating Temperature	Tope	-30 - +50	°C
Storage Temperature	Tsto	-40 - + 80	°C

Typical Performance (Ta = 25°C):

Items	Symbol	Min	Typ.	Max.	Units
Input Voltage	Vi	11	12	13	V
Beam Pattern	BP	---	15	---	Deg
Total Length	Lmod.	---	54	---	mm
Net Weight	Wei.	---	65.0	---	g
Estimated Life [1]	Life	---	50000	---	hour
Optimized Thermal Management (Body Temperature)	/	---	---	45	°C

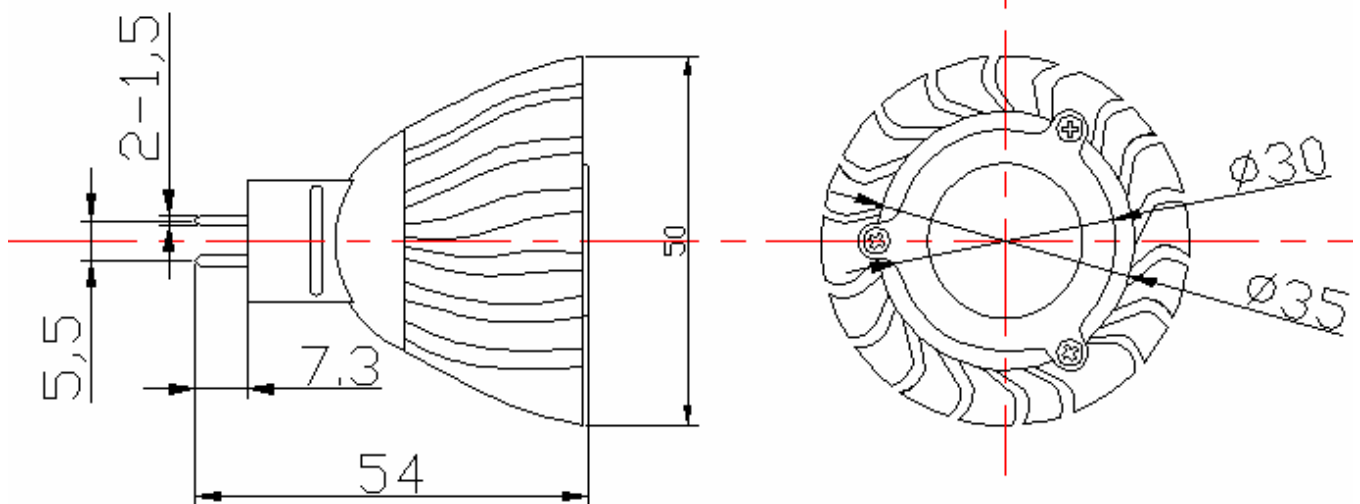
Notes:

- [1] The MR16 LED lamp can work 4-8 hours per day, and the lifetime can reach 50,000 hours, even longer. All the parameters are tested by Lucky Light's equipment.
- Rank ratings will be determined by Lucky Light, if you have any request or queries for Lucky Light products, please directly contact salesman.
- The brightness and forward voltage can be designed according to customer specifications.
- Specifications are subject to change without notice

Product picture:



Product Dimensions:



Notes:

1. All dimensions unit in mm.
2. The tolerance is +/- 0.2mm unless otherwise noted.