

**Φ 50mm GU10 Spot Light Series
Technical Data Sheet**

Model No.: L-GU10XXAD48R



Features:

- ◇ High intensity.
- ◇ Low power consumption.
- ◇ Long life.
- ◇ Operation voltage: 200~240V AC.
- ◇ Available for all color.
- ◇ Easy-equipped.

Description:

It has high luminant efficiency by using super bright LED. The colors of lighting can be white, warm white, red, yellow, blue, green and other colors.

Application:

- ◇ Entertainment Lighting.
- ◇ Architectural lighting.
- ◇ City Beautification.
- ◇ Landscape lighting.
- ◇ Furniture decoration.
- ◇ Other light sources.

Device Selection Guide:

Part No.	Color	Q'ty of LEDs (pcs)	Color Temp/Wavelength Typ (kelvin/nm)	Luminous Flux (lm)
L-GU10W6AD48R	Warm White	48	3000K	82. 4
L-GU10WAD48R	Cool White	48	8000K	113
L-GU10BAD48R	Blue	48	470nm	14. 3
L-GU10GAD48R	Green	48	525nm	58
L-GU10YAD48R	Yellow	48	590nm	17
L-GU10RAD48R	Red	48	624nm	18. 5

Absolute Maximum Ratings (Ta = 25°C)

Items	Symbol	Rating	Units
Operating Voltage	Viac	AC 240	V
Operating frequency	Freo	50-60	Hz
Power Dissipation	Pa	2. 88	W
Operating Temperature	Tope	-30 - +50	°C
Storage Temperature	Tsto	-40 - + 80	°C

Typical Performance (Ta = 25°C):

Items	Symbol	Min	Typ.	Max.	Units
Input Voltage	Vi	200	220	240	V
Beam Pattern	BP	---	100	---	Deg
Total Length	Lmod.	---	55. 8	---	mm
Net Weight	Wei.	---	58	---	g
Estimated Life [1]	Life	---	50000	---	hour
Optimized Thermal Management (Body Temperature)	/	---	---	45	°C

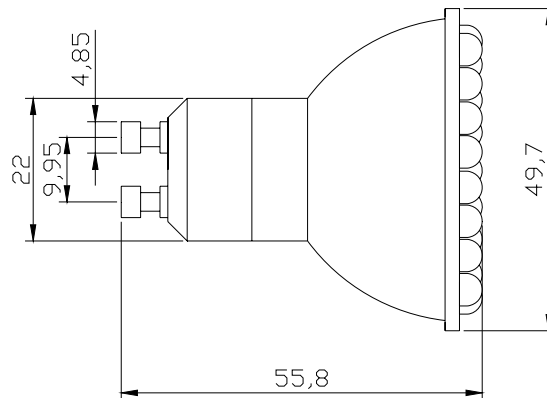
Notes:

- [1] The GU10 LED lamp can work 4-8 hours per day, and the lifetime can reach 50,000 hours, even longer. All the parameters are tested by Lucky Light's equipment.
- Rank ratings will be determined by Lucky Light, if you have any request or queries for Lucky Light products, please directly contact salesman.
- The brightness and forward voltage can be designed according to customer specifications.
- Specifications are subject to change without notice.

Product picture:



Product Dimensions:



Notes:

1. All dimensions unit in mm.
2. The tolerance is +/- 0.2mm unless otherwise noted.