

## Ceiling Light Series Technical Data Sheet

Model No.: L-CLXXAA18R



## Features:

- ◇ High intensity.
- ◇ Low power consumption.
- ◇ Long life.
- ◇ Low voltage operation at 12V AC.
- ◇ Available for all color.
- ◇ Easy-equipped.

## Description:

It has high luminant efficiency by using super bright LED. The colors of lighting can be white, warm white, red, yellow, blue, green and other colors.

## Application:

- ◇ Entertainment Lighting.
- ◇ Architectural lighting.
- ◇ City Beautification.
- ◇ Landscape lighting.
- ◇ Furniture decoration.
- ◇ Other light sources.

## Device Selection Guide:

Part No.	Color	Q'ty of LEDs (pcs)	Color Temp/Wavelength Typ (kelvin/nm)	luminous flux (LM)
L-CLW6AA18R	Warm White	18	3000K	31.2
L-CLWAA18R	White	18	8000K	27.4
L-CLBAA18R	Blue	18	470nm	5.2
L-CLGAA18R	Green	18	525nm	24.4
L-CLYAA18R	Yellow	18	590nm	10.6
L-CLRAA18R	Red	18	624nm	11.0

**Absolute Maximum Ratings (Ta = 25°C)**

Items	Symbol	Rating	Units
Operating Voltage	Viac	AC 13	V
Operating frequency	Freo	50-60	Hz
Power Dissipation	Pa	1.4	W
Operating Temperature	Tope	-30 - +50	°C
Storage Temperature	Tsto	-40 - + 80	°C

**Typical Performance (Ta = 25°C):**

Items	Symbol	Min	Typ.	Max.	Units
Input Voltage	Vi	11	12	13	V
Beam Pattern	BP	---	50	---	Deg
Total Length	Lmod.	---	80	---	mm
Net Weight	Wei.	---	182.4	---	g
Estimated Life [1]	Life	---	50000	---	hour
Optimized Thermal Management (Body Temperature)	/	---	---	45	°C

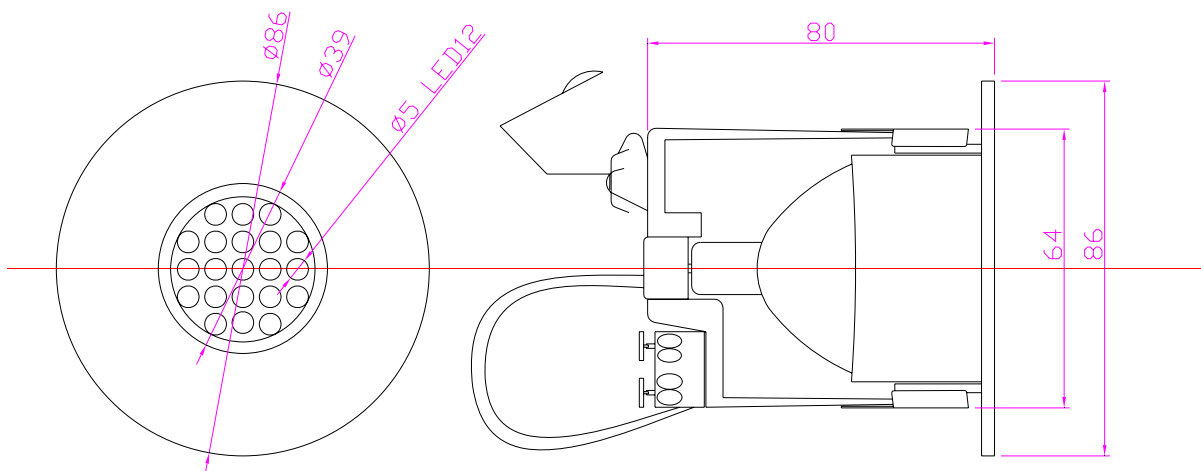
**Notes:**

- [1] The ceiling light can work 4-8 hours per day, and the lifetime can reach 50,000 hours, even longer. All the parameters are tested by Lucky Light's equipment.
- Rank ratings will be determined by Lucky Light, if you have any request or queries for Lucky Light products, please directly contact salesman.
- The brightness and forward voltage can be designed according to customer specifications.
- Specifications are subject to change without notice.

Product picture:



Product Dimensions:



Notes:

1. All dimensions unit in mm.
2. The tolerance is +/- 1mm unless otherwise noted.